

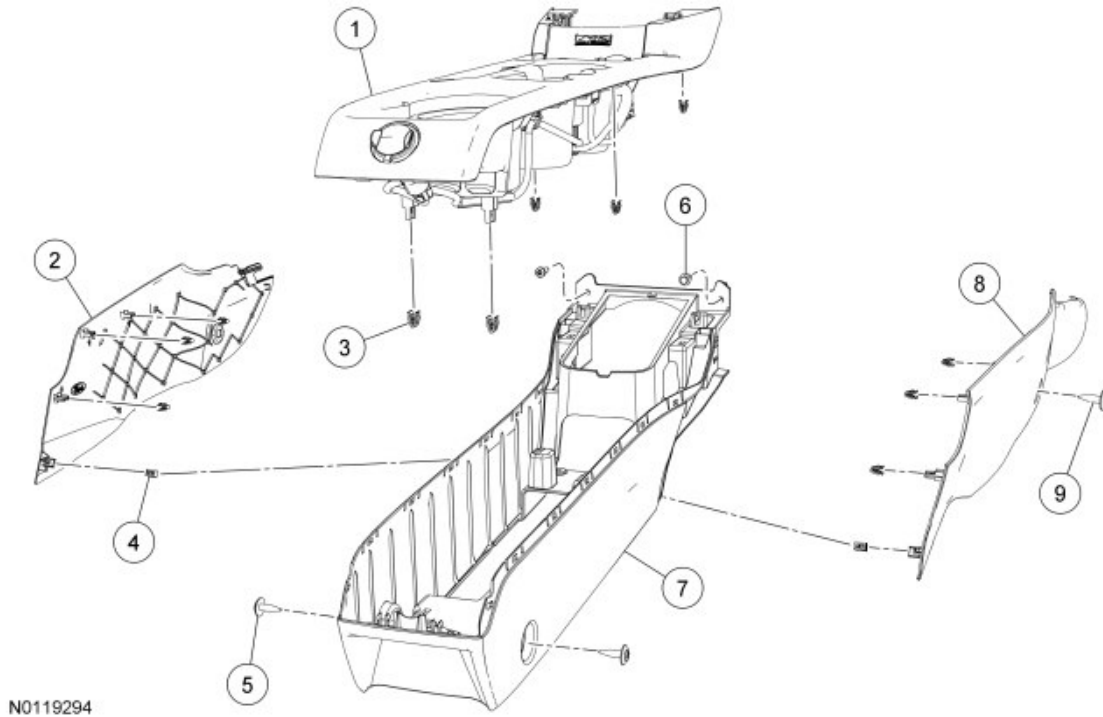


M-7210-FA Ford Fiesta Short Throw Shifter INSTALLATION INSTRUCTIONS

NO PART OF THIS DOCUMENT MAY BE REPRODUCED WITHOUT PRIOR AGREEMENT AND WRITTEN PERMISSION OF FORD RACING PERFORMANCE PARTS.

Please visit www.fordracingparts.com for the most current instruction information

**!!! PLEASE READ ALL OF THE FOLLOWING INSTRUCTIONS CAREFULLY PRIOR TO INSTALLATION.
AT ANY TIME YOU DO NOT UNDERSTAND THE INSTRUCTIONS, PLEASE CALL THE FORD RACING
TECHLINE AT 1-800-367-3788 !!!**



N0119294

Item	Description
1	Floor console finish panel
2	RH floor console side panel
3	Floor console finish panel clips (6)
4	Floor console side panel clips (4)
5	Floor console rear screws (2)
6	Floor console front screws (2)
7	Floor console assembly
8	LH floor console side panel
9	Side panel push pin (2)

Factory Ford shop manuals are available from Helm Publications, 1-800-782-4356



M-7210-FA Ford Fiesta Short Throw Shifter INSTALLATION INSTRUCTIONS

NO PART OF THIS DOCUMENT MAY BE REPRODUCED WITHOUT PRIOR AGREEMENT AND WRITTEN PERMISSION OF FORD RACING PERFORMANCE PARTS.

GEARSHIFT LEVER

REMOVAL:

- STEP 1:** Set parking brake
- STEP 2:** Place shifter in neutral
- STEP 3:** Remove shifter cover/heater control faceplate. Gently pull up on rear of shifter cover/faceplate. It is retained by push in clips.
- STEP 4:** After the shifter cover/faceplate is free of console, gently pull straight back freeing it from the dash around the heater controls. Disconnect any wires.



- STEP 5:** Remove console side panels #2 and #8 by removing the push pins at the front of the panels. Pull rear of panels to free the push in clips. Set panels aside.

Factory Ford shop manuals are available from Helm Publications, 1-800-782-4356



M-7210-FA Ford Fiesta Short Throw Shifter INSTALLATION INSTRUCTIONS

NO PART OF THIS DOCUMENT MAY BE REPRODUCED WITHOUT PRIOR AGREEMENT AND WRITTEN PERMISSION OF FORD RACING PERFORMANCE PARTS.



STEP 6: Remove shifter boot by unscrewing the shifter knob. Lift shifter boot at base freeing it from console.

STEP 7: Remove console bolts #5 and #6. Unplug any electrical connectors at front sides of console. This allows you to shift console back and lift the front of it to gain access to shifter.

NOTE: Floor console finish panel item #1 is not removed from Floor console assembly item #7 during installation of the shifter.

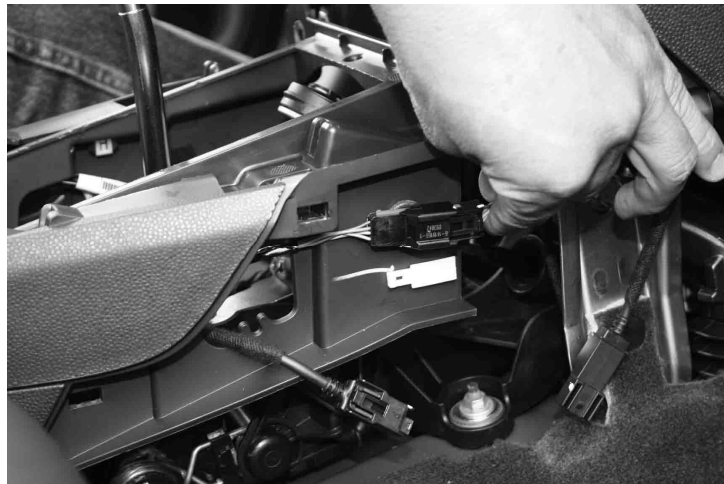


Factory Ford shop manuals are available from Helm Publications, 1-800-782-4356



M-7210-FA Ford Fiesta Short Throw Shifter INSTALLATION INSTRUCTIONS

NO PART OF THIS DOCUMENT MAY BE REPRODUCED WITHOUT PRIOR AGREEMENT AND WRITTEN PERMISSION OF FORD RACING PERFORMANCE PARTS.



STEP 8: Remove shifter cables from shift levers.

STEP 9: Remove shifter cables from base

Factory Ford shop manuals are available from Helm Publications, 1-800-782-4356



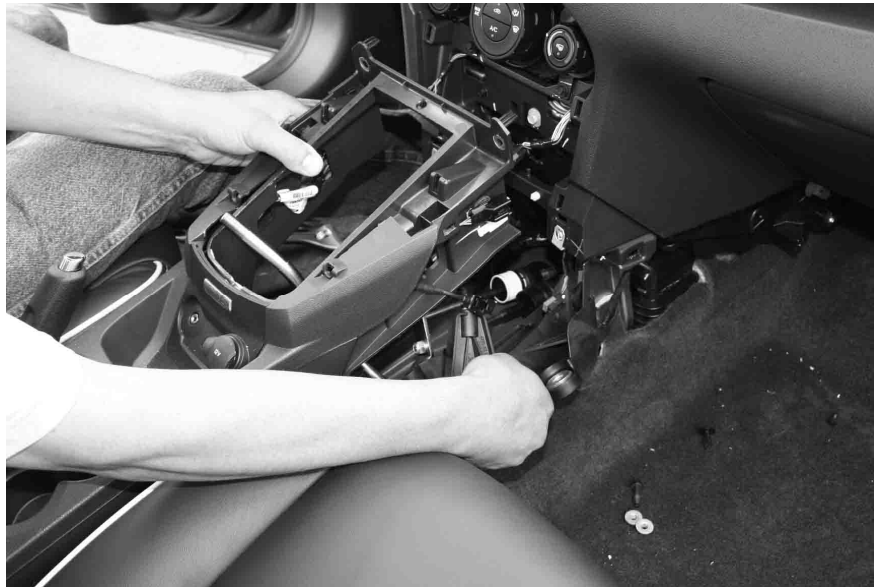
M-7210-FA Ford Fiesta Short Throw Shifter INSTALLATION INSTRUCTIONS

NO PART OF THIS DOCUMENT MAY BE REPRODUCED WITHOUT PRIOR AGREEMENT AND WRITTEN PERMISSION OF FORD RACING PERFORMANCE PARTS.

STEP 10: Remove the 4 nuts retaining the shifter assembly. Lifting console provides better access to nuts.



STEP 11: Holding front of console up remove shifter out through side.



To install new shifter reverse procedure

After shifter and cables are installed, verify shifter operation before completely assembling console.

Factory Ford shop manuals are available from Helm Publications, 1-800-782-4356